

波登管压力表，不锈钢版

DN 80/100/150/200 SERIES

概述

Excellent load-cycle stability for long period. It's suitable for chemical/petrochemical process industries, power plants and plants constructions.

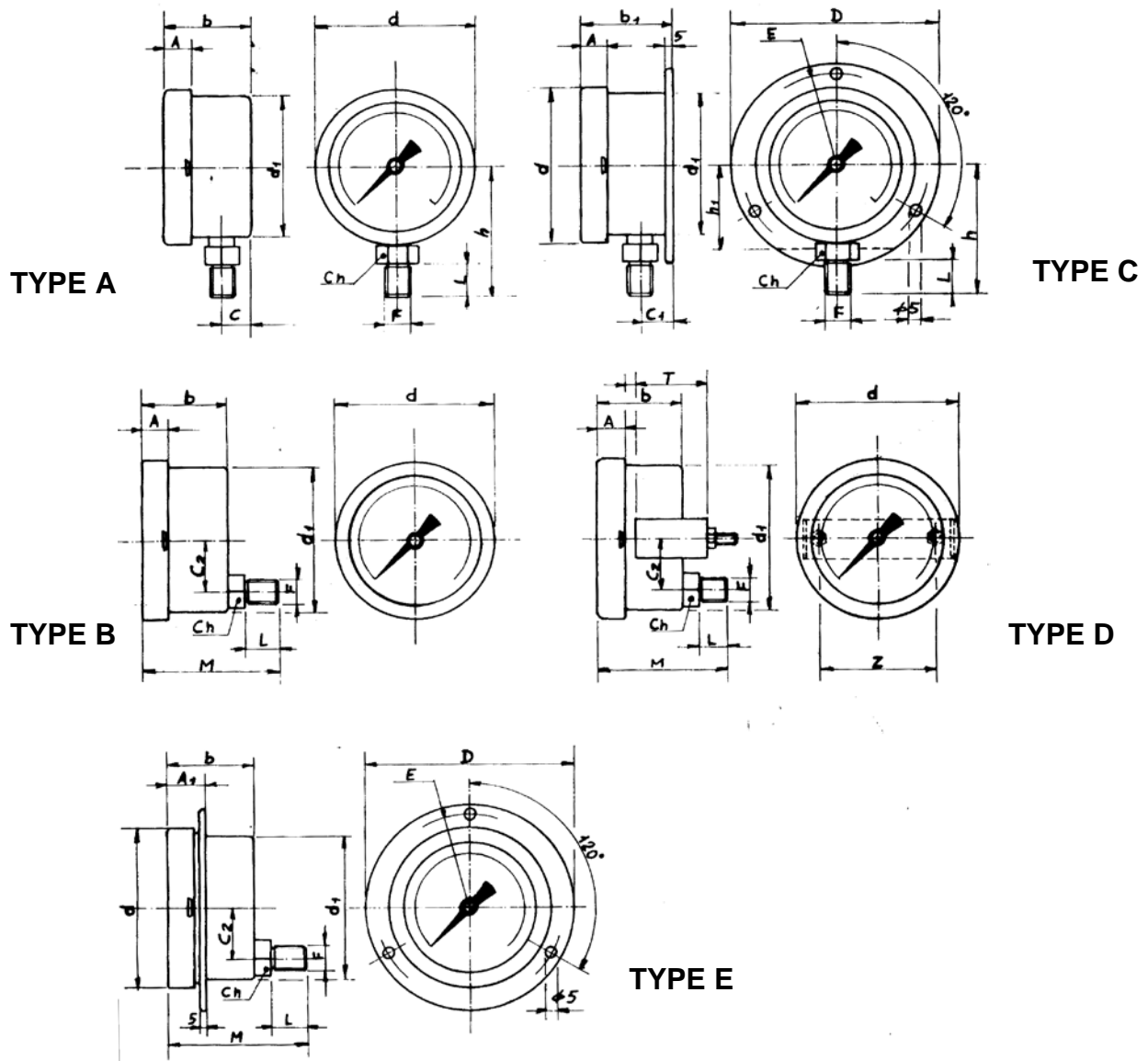


安德鲁信重工江苏有限公司

地址：江苏省江阴市澄江东路3号 电话：0510-86199978 86199979 传真：0510-86199980
网址：www.andrewen.com www.andrewen.net 邮箱：info@andrewen

单位：毫米

DN 80/100/150/200



DN	TYPE	F	L	A	A1	b	b1	d	d1	D	E	M	N	T	ch
80	AC	1/4 - 3/8 - 1/2	20	14		41	45	90	79	110	94		-	-	22
80	BDE	1/4 - 3/8 - 1/2	20	14	21	49	-	90	79	110	94	91	-	-	22

DN	TYPE	F	L	A	A1	b	b1	d	d1	D	E	M	N	T	ch
100	AC	1/4 - 3/8 - 1/2	20	14	-	41	45	113	99	132	116	-	-	-	22
100	BDE	1/4 - 3/8 - 1/2	20	14	23	49	-	113	99	132	116	91	-	-	22

DN	TYPE	F	L	A	A1	b	b1	d	d1	D	E	M	N	T	ch
150	AC	1/4 - 3/8 - 1/2	20	18	-	51	55	166	148	195,5	178	-	-	-	22
150	BDE	1/4 - 3/8 - 1/2	20	18	24	51	-	166	148	195,5	178	93	-	-	22

DN	TYPE	F	L	A	A1	b	b1	d	d1	D	E	M	N	T	ch
200	AC	1/4 - 3/8 - 1/2	20	20	-	54	58	218	199,5	243	220	-	-	-	22
200	BDE	1/4 - 3/8 - 1/2	20	20	34	54	-	218	199,5	243	220	95	-	-	22



安德鲁信重工江苏有限公司

地址：江苏省江阴市澄江东路3号 电话：0510-86199978 86199979 传真：0510-86199980
 网址：www.andrewen.com www.andrewen.net 邮箱：info@andrewen

技术参数

适用标准: EN 837-1

公称尺寸(mm): 80, 100, 150, 200

范围: from -1 bar up to 600 bar as pressure

精度: 1 for DN 100 - 150 - 200, 1,6 for DN 80

环境温度: -20+60°C

工艺流体温度: max 60°C

工作压力: static 75% of FVS

超压: 15% max. for short period

保护等级: IP 55 according to IEC 529 - IP 65 with liquid filling

表壳: : stainless steel

密封圈: : stainless steel, bayonet lock

刻度盘: white aluminium, black markings

指针: : black aluminium

表玻璃: glass 3 mm thickness

Gasket for window: EPDM

传感器元件: Bourdon tube in AISI 316 st.st.

动作: stainless steel

支架: AISI 316 st.st. Thread 1/2 - 3/8 - 1/4 BSP

available NPT on request

温度漂移 :±0,4% /10°C of FVS

(taking 20°C as the datum temperature)

可选项

Max drag and resettable pointer: single or double in aluminium

Restrictor: brass Ø 4 applicable to the pressure connection in order to reduce the process fluid entry speed into the instrument.

Available special scales

Liquid filling: Glycerine 98 % - Silicone oil



安德鲁信重工江苏有限公司

地址: 江苏省江阴市澄江东路3号 电话: 0510-86199978 86199979 传真: 0510-86199980

网址: www.andrewen.com

www.andrewen.net

邮箱: info@andrewen