

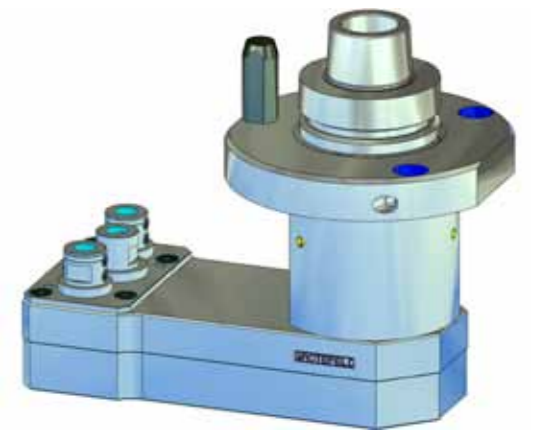
Technical features

Item Id	EP-015581
drive turning direction	R.H.
drive speed max.	4.500 rpm
number of spindles	3
spindle position	vertical / drilling figure - tool receptacles upwards
tool receptacles	3x $\phi 10H7$ x 20 mm
gear ratio	1 : 1,1663 / 1 : 1,4166 - gear drive
turning direction of tool receptacles	1x equal to drive turning direction 2x opposite to drive turning direction
spindle speed max.	2x 5.727 rpm + 1x 4.500 rpm
drive capacity	1,70 kW
weight without drive adapter	approx. 2,00 kg

Optional accessories:

Hex-wrench SW3	Item Id. 138030
Open end spanner SW15	Item Id. 131001
Lubrication press	Item Id. 980003

The underfloor drilling aggregate G200 is due to its design conceived for drilling the bottom side of workpieces. The spindle turning direction of the tool receptacles are R.H./L.H. The drive speed is transferred in a ratio of 1:1 to the tool receptacle. The maximum spindle speed is 5,727 rpm in permanent operation. The dimensions are variable and can be created on almost any size you want.



Variants on demand!

